



Frozen food and ice cream



Chicken



Meat



Electric defrost



Ceramic glass



Ventilated



R404A



Medium & Low temperature



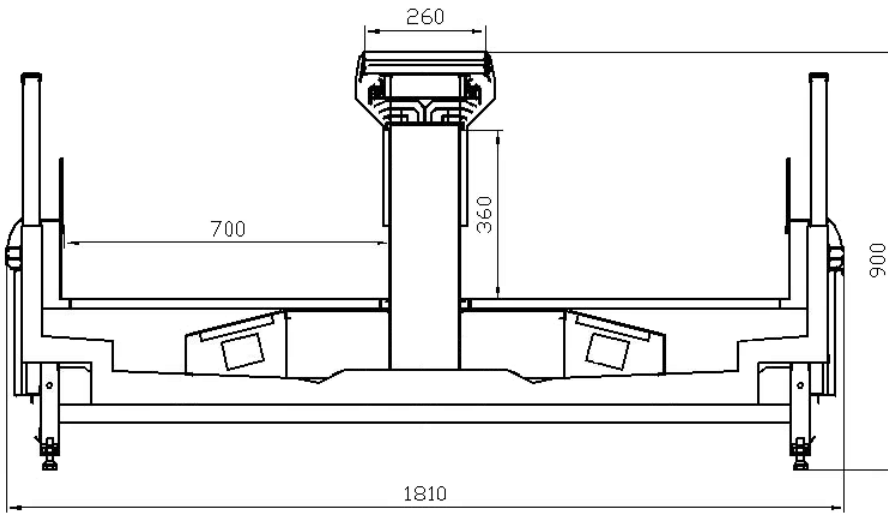
LED lighting



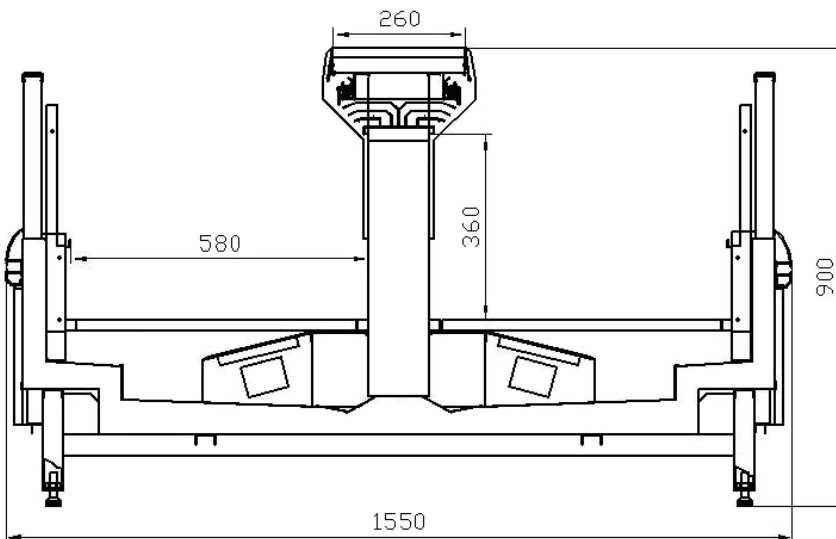
Remote condensing unit

Mica EC					
Length mm		1800	1875	2500	3750
Mica EC D18	Linear Cabinet		DK0.9WFEC	DK1.2WFEC	DK1.9WFEC
Mica EC D18	End Cabinet	DK0.6WFEC			
Mica EC D16	Linear Cabinet		DK0.8WFEC	DK1.0WFEC	DK1.6WFEC
Mica EC D16	End Cabinet	DK0.4WFEC			

Linear Cabinet
Mica EC D18



Linear Cabinet
Mica EC D16



Legend



Bread



Cheese



Chicken



Dairy products



Delicatessen



Drinks



Fish



Frozen food and ice



Fruits and Vegetables



Gastronomy



Meat



Pastries



Pizza



Pre-packed fish



Pre-packed fruits



Sandwiches



Bagnomaria



Ceramic glass



Compressor hermetic



Compressor hermetic Rotary



Electric defrost



External installation



Hermetic scroll compressor



High efficiency fans



Hot-gas defrosting



Ice



LED lighting



LED lighting



Machinery room



Manual defrost



Medium & Low temperature



Off-cycle defrost



Incorporated condensing unit



Propane refrigerant gas (R290)



R134a



R404A



R744



Remote condensing unit



Semi-hermetic reciprocating compressor



Ventilated