

# 目录 CONTENTS

## VALVE PART

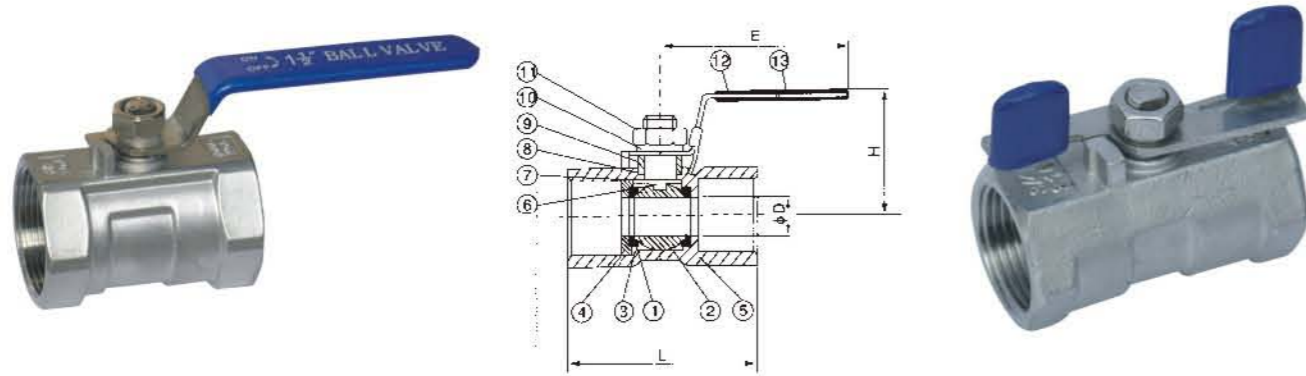
- 1 .....一片式内螺纹球阀系列  
1PC Thread Ball Valve Series
- 3 .....二片式内螺纹球阀系列  
2PC Thread Ball Valve Series
- 5 .....三片式内螺纹球阀系列  
3PC Thread Ball Valve Series
- 12 .....气动、电动、法兰球阀系列  
Pneumatic/Electic actuator/Flanged Ball Valve Series
- 13 .....不锈钢内螺纹止回阀系列  
Stainless Steel Thread Check Valve Series
- 15 .....Y型内螺纹过滤器系列  
Y Type Thread Strainer
- 16 .....不锈钢内螺纹闸阀系列  
Stainless Steel thread gate valve series
- 17 .....内螺纹截止阀系列  
Thread Globe Valve Series
- 18 .....角座阀系列  
Flanged Pneumatic Angle seat Valve Series
- 23 .....法兰球阀系列  
Flanged Ball Valve Series
- 28 .....法兰截止阀系列  
Flang Globe Valve Series
- 32 .....法兰闸阀系列  
Flanged Gate Valve Series
- 36 .....法兰止回阀系列  
Flanged Check Valve Series
- 41 .....法兰Y型过滤器系列  
Y type Flanged Strainer Series

## FITTING PART

- 43 .....快装接头系列  
Quick Connector Series
- 49 .....丝扣管件系列  
Threaded Fittings Series
- 57 .....不锈钢无缝管件系列  
Stainless Steel Semless Fitting Series



一片式内螺纹球阀 1PC Thread ball valve



应用规范 Application Norm

公称压力: 1.6-6.4MPa

适用温度范围: -20~232°C ~ 350°C

适用介质: 水、油、气及某些腐蚀性液体(W、O、G)

螺纹类型: G·NPT.BSPT.BSP.DIN259/2999

Nominal pressure: 1.6-6.4MPa

Temperature Range: -20-232°C ~ 350°C

Applying medium: water, oil, air and some

Corrosive liquid(W、O、G)

Thread type: G·NPT.BSPT.BSP.DIN259/2999

主要零件材料 Main parts and materials

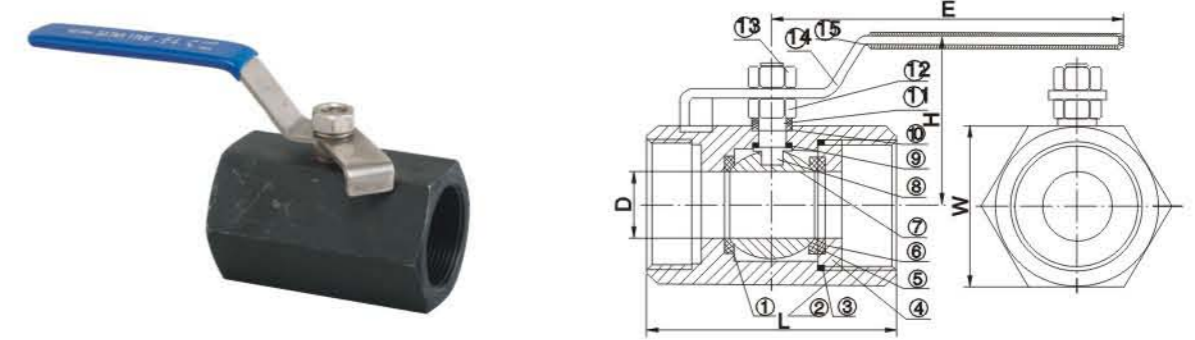
序号 Number	零件名称 Part name	材质 Material
1	密封圈 Joint ring	聚四氟乙烯 PTFE
2	球体 Ball	不锈钢 Stainless steel SS316
3	密封垫 Joint Gasket	聚四氟乙烯 PTFE
4	阀盖 Valve Cap	不锈钢 Stainless steel SS316
5	阀体 Valve Body	不锈钢 Stainless steel CF8M
6	阀杆 Valve Stem	不锈钢 Stainless steel SS316
7	止推垫圈 Thrust washer	聚四氟乙烯 PTFE
8	填料 Packig	聚四氟乙烯 PTFE
9	填料压盖螺母 Gland nut	不锈钢 Stainless steel SS304
10	垫圈 Washer	不锈钢 Stainless steel SS304
11	阀杆螺母 Stem nut	不锈钢 Stainless steel SS304
12	手柄套 Handle sleeve	塑料 Packing
13	手柄 Handle	不锈钢 Stainless steel SS304

主要尺寸 Main dimensions

单位:mm Unit:mm

SIZE	1/4"	3/8"	1/2"	3/4"	1"	1 1/4"	1 1/2"	2"
D	5.0	7.0	9.2	12.5	15.0	20.0	24.5	32
L	40	45	55.4	58.5	69.3	77	82	95.5
H	35	37	43.5	47	50	57	69	74.5
E	64	70	90	90	103	103	127	127

一片式内螺纹连接六角碳钢球阀 Hexagonal carbon steel ball valve



技术规范

>设计标准: GB/T12224、GB/T8464

>压力-温度额定值: GB/T12224

>结构长度: GB/T15188.3

>连接螺纹标准: G、Rc、Rp、NPT、BSP、BSPT、DIN259/2999

>试验与检验标准: GB/T13927

>主要材质: WCB、CF8(304)、CF8M(316)

>驱动方式: 手动

Technical Standard

>Design Standard: GB/T12224、GB/T8464

>Pressure-Temperature Rating: GB/T12224

>Face To Face Std: GB/T15188.3

>End Connection Std: G、Rc、Rp、NPT、BSP、BSPT、DIN259/2999

>Test Standard: GB/T13927

>Material: WCB、CF8(304)、CF8M(316)

>Operated Way: Handle

材料列表 Material list

No	部件名称 Part Name	材料 Material	QTY
1	下密封圈 Joint ring	PTFE	1
2	阀体 Body	A105	1
3	密封垫 Joint gasket	PTFE	1
4	锁紧螺母 Lock nut	A105	1
5	上密封圈 Joint ring	PTFE	1
6	垫片 Stem washer	304	1
7	球体 Ball	304/316	1
8	阀杆 Stem	304/316	1
9	止推垫片 Thrust washer	PTFE	1
10	填料 Stem packing	PTFE	1
11	填料压套 Gland	304	1
12	填料压盖 Gland nut	304	1
13	阀杆螺母 Stem nut	304	1
14	手柄 Handle	A3	1
15	手柄套 Handle cover	塑料 PLASTIC	1

性能规范 Specifications

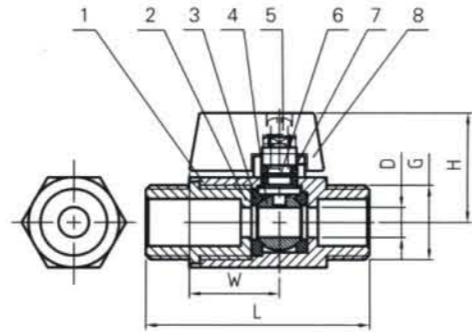
公称通径 Size Range	公称压力 Working Pressure	适用温度 Suitable Temperature	适用介质 Suitable Medium
DN	PN	-29~200°C	CF8(304)硝酸类 Nitric acid
6~100mm	1.6~6.4MPa		CF8M(316)醋酸类 Acetic acid
			水、天然气、油品等 Water Natural gas、Oil

尺寸列表 Dimension List

单位 Unit:mm

Item	Size	1/4"	3/8"	1/2"	3/4"	1"	1 1/4"	1 1/2"	2"
D		5.0	7.0	10.5	12.5	15	20	25	32
L		41	57	60	67	74	74	83	114
H		23	34	35	40	67	75	83	90
E		65	91	95	99	100	105	135	160
W		19	27	30	35.5	42	53	48	74.5

迷你型外螺纹球阀 Mini ball valve(M/M)

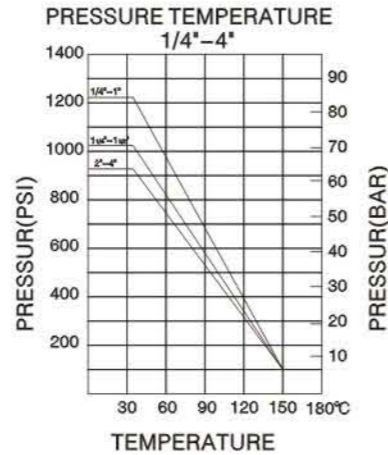


- 特点:
- 管螺纹可按:NPT.BSPT.BSPP
  - 温度范围:-20℃--150℃
  - 适用介质:水、油、气
  - 公称压力:1.6~6.4MPa
  - 精密铸造阀体
  - 材质:CARBON STEEL/SCPH2/WCB  
STAINLESS STEE/304/SCS13  
STAINLESS STEE/316/SCS14

- FEATURES:
- PIPE THREAD IN ALLORDANCE:NPT.BSPT.BSPP
  - TEMPERATURE RANGE:-20℃~150℃
  - SUITABLE IVIDIUIVI: WATE、 OIL、 AIR
  - NOMINAL PRESSURE: 1.6~6.4MPa
  - INVESTMENT CASTING BODY
  - MATERIAL: CARBON STEE/SCPH2/WCB  
STAINLESS STEE/304/SCS13  
STAINLESS STEE/316/SCS14

主要零件材料  
Main parts and materials

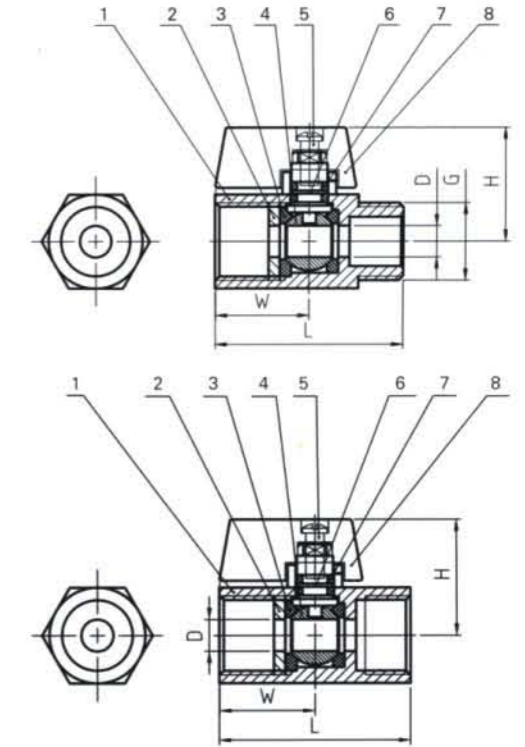
NO	NAME	MATERIAL
1	BODY	SS304/SS316
2	CAP	SS304/SS316
3	SEAT	PTEE
4	BALL	SS304/SS316
5	SCREW	SS304/SS316
6	STEM	SS304/SS316
7	O-RING	NBR
8	HANDLE	SS304/SS316



尺寸列表 Dimension list

NPS	G	D	L	W	H
DN6	1/4"	7	50	23	26
DN10	3/8"	7	50	23	26
DN15	1/2"	9	58	23	28
DN20	3/4"	12	70	23	31
DN25	1"	15	83	23	34

迷你型球阀 Mini ball valve



- 特点:
- 螺纹可按:NPT.BSPT.BSPP
  - 温度范围:-20℃-150℃
  - 适用介质:水、油、气体
  - 公称压力:1.6~6.4MPa
  - 精密铸造阀体材质:CARBON STEE/SCPH2/WCB  
STAINLESS STEE/304/SCS13  
STAINLESS STEE/316/SCS14

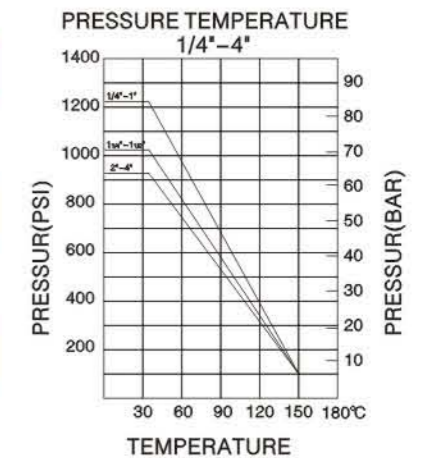
- FEATURES:
- PIPE THREAD IN ACCORDANCE: NPT.BSPT.BSPP
  - TEMPERATURE RANGE:-20℃~150℃
  - SUITABLE MEDIUM:WATER,OIL,AIR
  - NOMINAL PRESSURE:1.6~6.4MPa
  - INVESTMENT CASTING BODY
  - MATERIAL: CARBON STEE/SCPH2/WCB  
STAINLESS STEE/304/SCS13  
STAINLESS STEE/316/SCS14

主要零件材料  
Main parts and materials

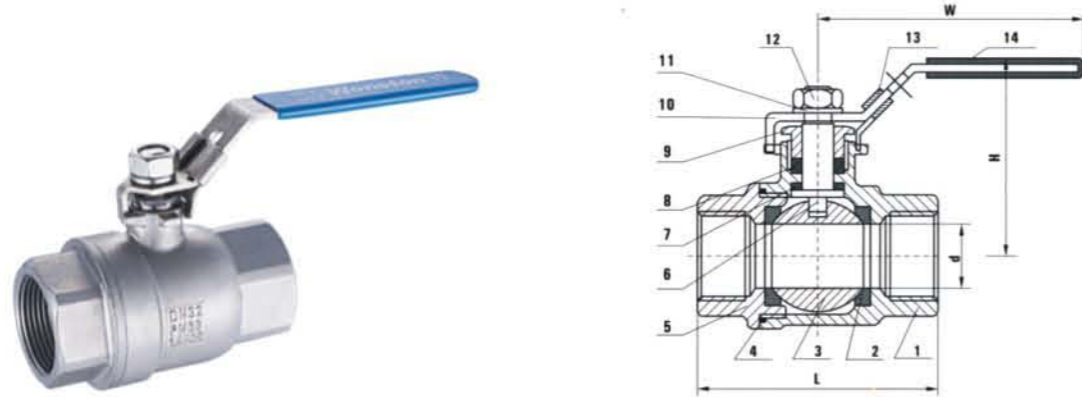
NO	NAME	MATERIAL
1	BODY	SS304/SS316
2	CAP	SS304/SS316
3	SEAT	PTEE
4	BALL	SS304/SS316
5	SCREW	SS304/SS316
6	STEM	SS304/SS316
7	O-RING	NBR
8	HANDLE	SS304/SS316

尺寸列表 Dimension list

NPS	G	D	L	W	H
DN6	1/4"	7	42	23	26
DN10	3/8"	7	42	23	26
DN15	1/2"	9	46	23	28
DN20	3/4"	12	54	23	31
DN25	1"	15	62	23	34



二片式球阀, 德标M3 2PC Ball valve



主要零件材料 Main parts and materials

Item	Part 零配件	Material 材质
1	Body 阀体	CF8M CF8 WCB
2	Ball Seat 阀座	PTFE/RPTFE
3	Ball 球体	316 304 304
4	Body Gasket 密封圈	PTFF
5	Cap 阀盖	CF8M CF8 WCB
6	Stem 阀杆	316 304 304
7	Thrust Washer 止推垫片	PTFE
8	Stem Packing 填料	PTFE
9	Gland Nut 压盖	304
10	Handle 手柄	304
11	Sping Washer 弹簧垫圈	304
12	Nut 螺母	304
13	Locking Device 锁装置	301
14	Handle Cover 手柄套	Plastic

尺寸列表 Dimension list

Size	φd	L	H	W
1/4"	10.5	50	50	100
3/8"	12	60	50	100
1/2"	15	75	60	130
3/4"	20	80	64	130
1"	25	90	71	165
1-1/4"	32	110	78	165
1-1/2"	38	120	86	190
2"	49	140	95	190
2-1/2"	65	185	130	215
3"	78	205	148	250
4"	100	240	180	280

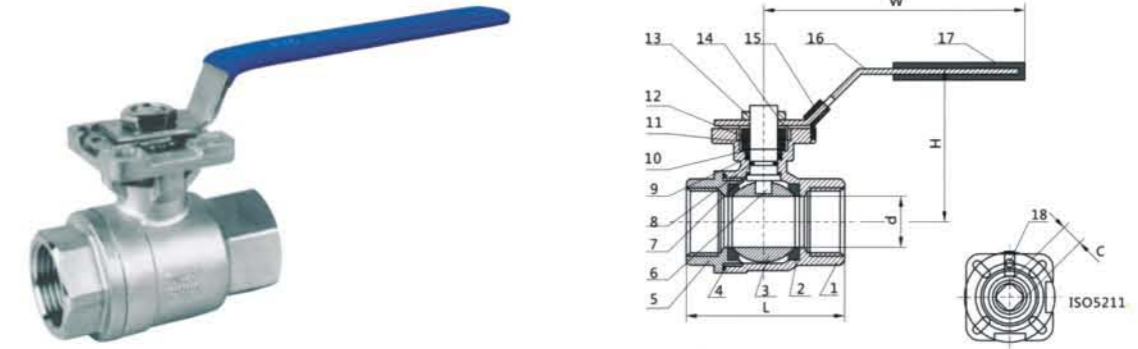
产品说明  
 • 精密铸造阀体  
 • 防脱出阀杆  
 • 全通径设计  
 • 球槽减压孔设计  
 • 各种标准螺纹:  
 NPT/BSPP/BSPT/PT  
 • 带锁手柄可选配  
 • 工作压力:  
 1000PSI/PN63

标准  
 • 设计标准: ASME B16.34  
 • 结构长度标准: DIN3202-M3  
 • 螺纹标准: ANSI B1.20.1  
 BS 21/2799  
 DIN 259/2999  
 ISO 228  
 • 检测标准: API598

PRODUCT DESCRIPTION:  
 Investment Casting Body  
 Blow-Out Proof Stem  
 Full Port  
 Pressure Blance Hole In Ball Slot  
 ThreadsTypes: NPT/BSPP/BSPT/PT  
 Locking Device Handle Available  
 Working Pressure:1000PSI/PN63

STANDARD:  
 Design Acc: ASME B16.34  
 Length Acc:DIN3202-M3  
 Threads Acc: ANSI B1.20.1  
 BS 21/2799  
 DIN 259/2999  
 ISO 228  
 Inspection&Testing Acc: API 598

二片式高平台内螺纹球阀 2PC High mounting pad screwed ball Valve



主要零件材料 Main parts and materials

Item	Part 零配件	Material 材质
1	Body 阀体	CF8M CF8 WCB
2	Ball Seat 阀座	PTFE/RPTFE
3	Ball 球体	316 304 304
4	Body Gasket 密封圈	PTFE
5	Cap 阀盖	CF8M CF8 WCB
6	Stem 阀杆	316 304 304
7	Thrust Washer 止推垫片	PTFE
8	O-Ring O型圈	VITON
9	Stem Packing 填料	PTFE
10	Gland Nut 压盖	304
11	Belleville Washer 蝶簧	301
12	Stap Nut 止动垫圈	304
13	Nut 螺母	304
14	Stap Washer 止动垫圈	304
15	Locking Device 锁装置	301
16	Handle 手柄	304
17	Handle Cover 手柄套	Plastic
18	Location Pin 定位插销	301

尺寸列表 Dimension list

Size	φd	L		H	W	C	ISO5211
		Normal type	DIN3202-M3				
1/4"	10.5	50	50	60	110	9	F03
3/8"	12	50	60	60	110	9	F03
1/2"	15	60	75	64	110	9	F03/F04
3/4"	20	70	80	80	120	9	F03/F04
1"	25	90	90	93	145	11	F04/F05
1-1/4"	32	95	110	95	145	11	F04/F05
1-1/2"	38	106	120	126	160	14	F05/F07
2"	49	120	140	129	170	14	F05/F07
2-1/2"	65	160	185	148	230	17	F07/F10
3"	78	180	205	152	260	17	F07/F10
4"	100	220	240	187	300	19	F07/F10

产品说明  
 • 精密铸造阀体  
 • 防脱出阀杆  
 • 全通径设计  
 • 球槽减压孔设计  
 • 直装平台设计  
 • 防静电设计  
 • 各种标准螺纹:  
 NPT/BSPP/BSPT/PT  
 • 带锁手柄可选配  
 • 工作压力:1000PSI/PN63  
 • DIN3202-M3结构长度可选

标准  
 • 设计标准:ASME B16.34  
 • 螺纹标准:ANSI B1.20.1  
 BS 21/2799  
 DIN 259/2999  
 ISO 228  
 • 检测标准:API598

PRODUCT DESCRIPTION:  
 Investment Casting Body  
 Blow-Out Proof Stem  
 Full Port  
 Pressure Blance Hole In Ball Slot  
 ISO 5211 Direct Mounting Pad  
 Anti-Static Device on Ball and Body  
 Threads Types: NPT/BSPP/BSPT/PT  
 Locking Device Handle Available  
 Working Pressure:1000PSI/PN63  
 Length Acc to DIN 3202 -M3 is available

STANDARD:  
 Design Acc: ASME B16.34  
 Threads Acc:ANSI B1.20.1  
 BS 21/2799  
 DIN 259/2999  
 ISO 228  
 Inspection&Testing Acc: API 598

二片式内螺纹球阀 2PC Thread ball valve



应用规范 Application Norm

公称压力: 1.6-6.4MPa  
 适用温度范围: -20~232°C~350°C  
 适用介质: 水、油、气及某些腐蚀性液体(W、O、G)  
 螺纹类型: G·NPT.BSPT.BSP.DIN259/2999

Nominal pressure: 1.6-6.4MPa  
 Temperature Range: -20~232°C~350°C  
 Applying medium: water, oil, air and some Corrosive liquid(W、O、G)  
 Thread type: G·NPT. BSPT. BSP. DIN259/2999

主要零件材料 Main parts and materials

序号 Number	零件名称 Part name	材质 Material	
		不锈钢 Stainless steel	碳钢 Carbon steel
1	阀体 Valve Body	不锈钢 Stainless steel CF8M	不锈钢 Stainless steel WCB
2	球体 Valve Ball	不锈钢 Stainless steel SS316	不锈钢 Stainless steel SS304
3	密封圈 Joint ring	聚四氟乙烯 PTFE	聚四氟乙烯 PTFE
4	密封垫 Joint Gasket	聚四氟乙烯 PTFE	聚四氟乙烯 PTFE
5	阀盖 Valve Cap	不锈钢 Stainless steel CF8M	不锈钢 Stainless steel WCB
6	阀杆 Valve Stem	不锈钢 Stainless steel SS316	不锈钢 Stainless steel SS304
7	止推垫圈 Thrust washer	聚四氟乙烯 PTFE	聚四氟乙烯 PTFE
8	填料 Packing	聚四氟乙烯 PTFE	聚四氟乙烯 PTFE
9	填料压盖螺母 Gland nut	不锈钢 Stainless steel SS304	不锈钢 Stainless steel SS304
10	手柄 Handle	不锈钢 Stainless steel SS304	不锈钢 Stainless steel SS304
11	垫圈 Washer	不锈钢 Stainless steel SS304	不锈钢 Stainless steel SS304
12	阀杆螺母 Stem nut	不锈钢 Stainless steel SS304	不锈钢 Stainless steel SS304
13	手柄套 Handle sleeve	塑料 Plastic	塑料 Plastic

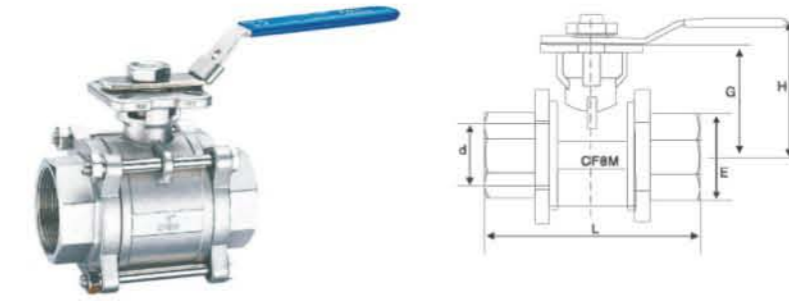
主要连接尺寸 Main dimensions

单位 Unit: mm

SIZE	1/4"	3/8"	1/2"	3/4"	1"	1 1/4"	1 1/2"	2"	2 1/2"	3"	4"
D	11.6	12.7	15	20	25	32	38	50	65	80	100
L	54	54	62	71	86	100	107	125	150	174	214
H	50	50	60	64	71	78	86	95	130	148	180
E	100	100	130	130	165	165	190	190	250	250	280

注: 二片式球阀连接形式另有对焊(BW)承插焊(SW), 并均可带国际ISO支架和锁定装置。  
 Note: two-blade ball valve has two connection ways of butt-welding(BW) and socket welding(SW), and may be equipped with the bracket and lock device in conformity with ISO.

3PC全通径1000PSI不锈钢ISO5211直装球阀



特点:  
 3PC结构设计  
 全通径  
 产品规格: 1/2"-2"  
 工作压力: 1000PSI  
 工作温度 < 150°C (PPL < 300°C)  
 内螺纹端或承插焊端或对焊端  
 螺纹端可按 BSPT、NPT、DIN2999 制造  
 可选带锁手柄  
 配 ISO5211 直接驱动装置平台

Feature  
 3PC Body  
 Full Bore  
 Size: 1/2"-2"  
 Working Pressure: 1000PSI  
 Working Temperature < 150°C (PPL < 300°C)  
 Threaded End or SW or BW End  
 Threaded End: BSPT, NPT, DIN2999  
 Optional Locked device Handle  
 ISO5211 Direct Mounting Pad

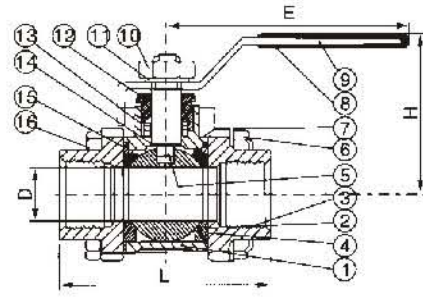
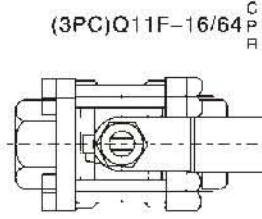
材料列表 Material List

NO	部件名称	Part Name	材料 Material
1	阀体	Body	CF 8M
2	阀盖	Cap	
3	阀座	Seat	RPTFE
4	球	Ball	
5	密封垫	Gasket	PTFE
6	阀杆密封	Stem Seal	
7	阀杆	Stem	SS 316
8	防静电装置	Anti-Static Device	
9	阀杆填料	Stem Packing	PTFE
10	填料压盖	Packing Gland	
11	弹性垫圈	Spring Washer	SS 301
12	手柄	Handle	
13	螺母	Stem Nut	SS 304

尺寸列表 Dimension List

NPS	d	E	G	H	W	L
1/2"	15	27	39	65	127	71
3/4"	20	33	45	76	131	79
1"	25	40	52	86	137	86
1-1/4"	32	49	58	90	165	107
1-1/2"	38	54	71	110	175	118
2"	50	67	79	125	183	138

三片式内螺纹球阀 3PC Thread ball valve



应用规范 Application Norm

公称压力: 1.6-6.4MPa  
 适用温度范围: -20~232°C ~ 350°C  
 适用介质: 水、油、气及某些腐蚀性液体(W、O、G)  
 承插焊标准: (SW): GB12224·ANSIB16·25  
 Nominal pressure: 1.6-6.4MPa  
 Temperature Range: -20~232°C ~ 350°C  
 Applying medium: water, oil, air and some Corrosive liquid(W、O、G)  
 Socket-welding standard: GB12224·ANSIB16·25



主要零件材料 Main parts and materials

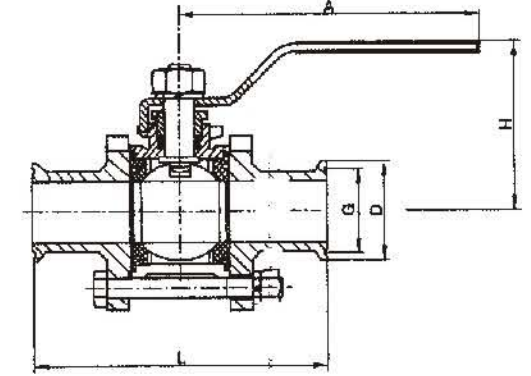
序号 Number	零件名称 Partname	材质 Material	
		不锈钢 Stainless steel	碳钢 Carbon steel
1	阀体 Valve Body	不锈钢 Stainless steel CF8M	碳钢 Carbon steel WCB
2	密封圈 Joint ring	聚四氟乙烯 PTFE	聚四氟乙烯 PTFE
3	阀盖 Valve Cap	不锈钢 Stainless steel CF8M	碳钢 Carbon steel WCB
4	球体 Valve Ball	不锈钢 Stainless steel SS304/SS316	不锈钢 Stainless steel SS304/SS316
5	阀杆 Valve Stem	不锈钢 Stainless steel SS304/SS316	不锈钢 Stainless steel SS304/SS316
6	螺母 Nut	不锈钢 Stainless steel SS304/SS316	FCD45
7	垫圈 Washer	不锈钢 Stainless steel SS304/SS316	FCD45
8	手柄套 Handle sleeve	塑料 Plastic	塑料 Plastic
9	手柄 Handle	不锈钢 Stainless steel SS304/SS316	不锈钢 Stainless steel SS304/SS316
10	阀杆螺母 Stem nut	不锈钢 Stainless steel SS304/SS316	B7
11	垫圈 Stem Washer	不锈钢 Stainless steel SS304/SS316	不锈钢 Stainless steel SS304/SS316
12	填料压盖螺母 Gland nut	不锈钢 Stainless steel SS304/SS316	FCD45
13	填料 Packing	聚四氟乙烯 PTFE	聚四氟乙烯 PTFE
14	止推垫圈 Thrust washer	聚四氟乙烯 PTFE	聚四氟乙烯 PTFE
15	填料 Packing	聚四氟乙烯 PTFE	聚四氟乙烯 PTFE
16	螺栓 Bolt	不锈钢 Stainless steel SS304/SS316	B8

主要尺寸 Main dimensions

单位 Unit: mm

SIZE	1/4	3/8	1/2	3/4	1	1 1/4	1 1/2	2	2 1/2	3	4
D	11.6	12.7	15	20	25	32	38	50	65	80	100
L	68	68	72	85	90	112	120	145	185	215	270
H	50	50	60	64	71	78	86	95	130	148	173
E	100	100	130	130	165	165	190	190	250	250	280
F	14.1	17.6	21.8	27.5	34.7	43.0	49.0	61.5	77.0	90.0	115.2
p	10	10	10	13	13	16	16	18	18	20	20

三片式快装球阀 3PC Clamp end ball valve



性能规范 Specifications

公称压力 Nominal pressure	PN	2.5, 4.0, 6.4	
强度试验压力 Strength testing pressure	PT	3.8, 6.0, 9.6	
低压密封试验压力 Strength testing pressure		0.6	
高压密封试验压力 Seal test pressure (high pressure)		3.0, 4.8, 7.6	
适用介质 Applicable medium	Q81F-(25~40~64)C, Q81F-(25~40~64)P, Q81F-(25~40~64)R		
	水、油品、气 Water, Oil, Gas	硝酸类 Nitric acid	醋酸类 Acetic acid
适用温度 Applicable temperature	-40~180°C		

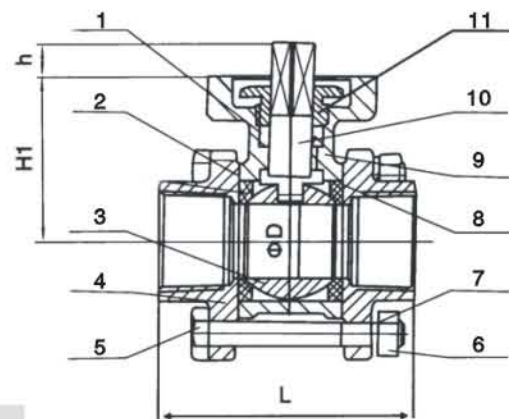
材料列表 Material list

零件名称 Description of parts	Q81F-25,40	Q81F-25,40	Q81F-25R,40R
阀体 Valve body	WCB	ZG1Cr18Ni9TiCF8	ZG1Cr18Ni12Mo2TiCF8M
球体 Ball	1Cr18Ni9Ti304	1Cr18Ni9Ti304	1Cr18Ni12Mo2Ti316
阀杆 Stem	1Cr18Ni9Ti304	1Cr18Ni9Ti304	1Cr18Ni12Mo2Ti316
密封圈 Seal ring	聚四氟乙烯 Polytetrafluoroethylene		
填料 Packing	聚四氟乙烯 Polytetrafluoroethylene		

尺寸列表 Dimension List

DN	G	D	L	H	A
15	1/2"	34	95	68	125
20	3/4"	50.5	105	70	125
25	1"	50.5	115	80	145
32	1 1/4"	50.5	125	84	145
40	1 1/2"	50.5	135	93	205
50	2"	64	150	100	205
65	2 1/2"	91	190	142	250
80	3"	106	220	155	250

3PC高平台内螺纹球阀 3PC Thread ball valve with ISO5211 pad



应用规范 Application Norm

公称压力: 1.6-6.4MPa  
 适用温度范围: -20~232°C ~ 350°C  
 适用介质: 水、油、气及某些腐蚀性液体(W、O、G)  
 承插焊标准: (SW); GB12224·ANSIB16·25  
 Nominal pressure: 1.6-6.4MPa  
 Temperature Range: -20~232°C ~ 350°C  
 Applying medium: water, oil, air and some Corrosive liquid(W、O、G)  
 Socket-welding standard: GB12224·ANSIB16·25

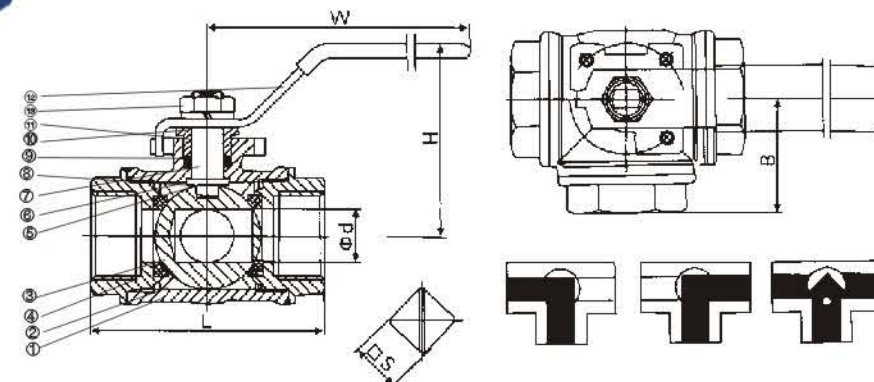
材料列表 Material list

ITEM	DESIGNATION	MATERIAL
1	阀杆填料 Stem packing	PTFE
2	阀座 Body seal	PTFE
3	球 Ball	CF8M
4	阀盖 Bonnet	304
5	螺栓 Bolt	304
6	螺栓 Bolt	304
7	弹性垫圈 Spring washer	304
8	止推垫圈 Thrust washer	PTFE
9	阀体 Body	CF8, CF8M
10	阀杆 Stem	304
11	压盖 Gland	304

尺寸列表 Dimension list

SIZE ITEM	1/4"	3/8"	1/2"	3/4"	1"	1 1/4"	1 1/2"	2"	2 1/2"	3"	4"
	D	12.5	12.5	15	20	25	32	38	50	65	76
L	64	64	65.5	77.5	83.5	104.5	110.5	129	170	186	220
H	68.4	68.4	72	78	90	95	107	122	155	164	170
W	135	135	135	135	152	152	188	188	233	233	233

不锈钢三通球阀 Stainless steel 3way ball valve



特点 Feature

"L"型或"L"型结构  
 缩径  
 产品规格: 1/4"~2"  
 工作压力: 1000PSI  
 螺纹端可按BSPT、NPT、DIN2999制造  
 ISO5211中平台  
 可选带锁手柄

"L"Type or "T"Type  
 Reduce Bore  
 Size: 1/4"-2"  
 Working Pressure: 1000PSI  
 Threaded end: BSPT, NPT, DIN2999  
 ISO5211 mounting pad  
 (Optional) Locking Device Handle

材料列表 Material list

NO	部件名称	Part Name	材料 Material
1	阀体	Body	CF8M
2	阀盖	Bonnet	CF8M
3	阀座	Seat	PTFE
4	球	Ball	SS316
5	密封圈	Seal Ring	PTFE
6	阀杆密封	Stem Seal	PTFE
7	阀杆	Stem	SS316
8	防静电装置	Anti-Static Device	SS304
9	阀杆填料	Stem Packing	PTFE
10	填料压盖	Packing Gland	SS304
11	弹性垫圈	Spring Washer	SS304
12	手柄	Handle	SS304
13	螺母	Stem Nut	SS304

尺寸列表 Dimension list

NPS	φd	L	H	W	B	ISO5211	□S
1/4	4.2	64	32	85	32	F2	(7)
3/8	6	64	32	95	32	F2	(7)
1/2	10	68	34	108	34	F3	(9)
3/4	15	78	60	115	39	F3	(9)
1	18	86	60	135	43	F4	(9)
1-1/4	25	111	76	150	55.5	F4	(11)
1-2/2	32	126	85	175	63	F5	(11)
2	40	143	95	190	71.5	F5	(11)

三片式不锈钢气动球阀 3PC stainless steel pneumatic ball valve

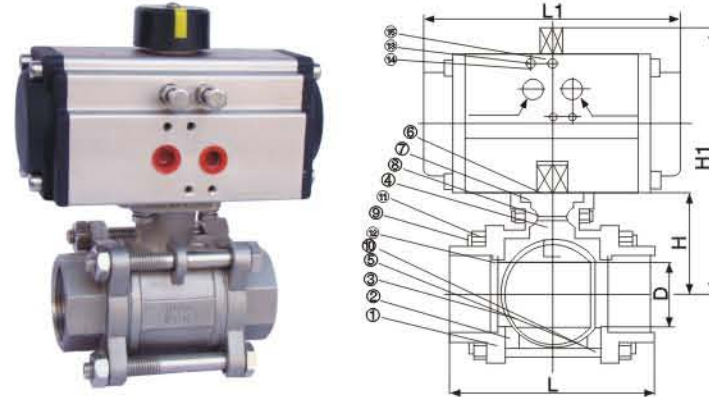
规格 Standard

设计制造: 参数规范 ASME B16.34  
 检验测试: 参照规格 API 598  
 DESIGN: ASME B16.34  
 TESTING: API 598

连接端形式: 牙口, NPT或BSPT/套连接对焊连接  
 END CONNECTION: THREADED(NPT,BSP, BSPT)/SOCKET WELD/BUTT WELD

温度范围: -29°C~230°C  
 TEMPERATURE RATING: -29°C~+230°C

驱动方式: 电动/气动  
 DRIVING: ELECTRIC/PNEUMATIC

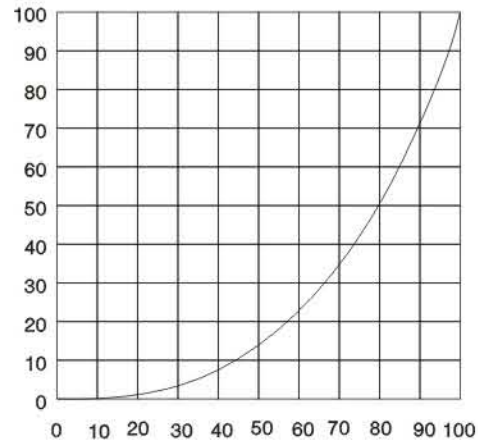


1000WOG

材料表 Material list

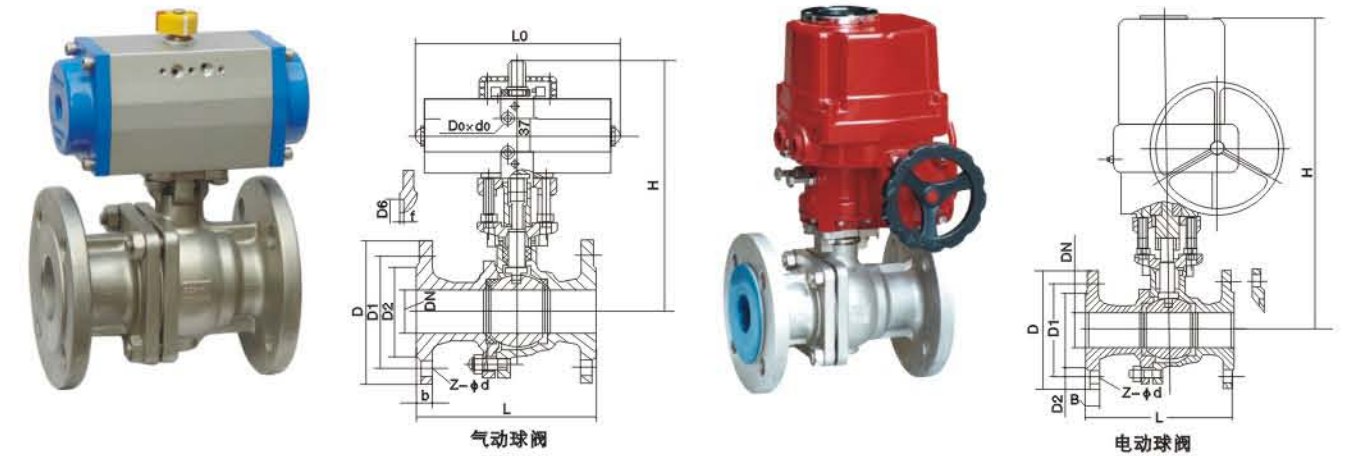
NO	PART NAME 零件名称	SPECIFICATION 规格
1	Body 本体	A351-CF8M A351-CF8
2	Cap 阀盖	A351-CF8M A351-CF8
3	Ball 球	A351-CF8M A351-CF8
4	Stem 阀杆	SUS316 SUS304
5	Seat 阀座	PTFE/RTFE/TFM1600PEEK
6	Gasket 线圈	PTFE
7	Packing 填料	REINFORCED/FTFE
8	O Ring O型圈	VITON
9	Disc spring 碟簧	SUS301
10	Bolt 连接螺栓	ASTM A193-E8
11	Nut 螺帽	ASTM A194-8
12	Bolt washer 垫片	SUS304
13	Bolt 连接螺栓	ASTM A193-E8
14	Bolt nut 螺母	ASTM A194-8
15	Pneumatic 气动执行器	-

以R15(Vc值1.3)比例, 作为参考  
 固有流量特性



SIZE	D	L	L1	H	H1	ISO5211
R1/2"	R15	75	137	36.5	125.5	F03/F04
1/2"	16.0	75	137	36.5	125.5	F03/F04
3/4"	20.0	80	137	39.5	128.5	F03/F04
1"	25.0	90	137	47.5	136.5	F03/F04
1-1/4"	32.0	110	137	53.5	142.0	F03/F04
1-1/2"	38.1	120	154	61.5	166.5	F05
2"	50.8	140	154	70.5	175.5	F06

气动、电动、法兰球阀 Pneumatic/Electric actuator/Flanged ball valve



主要性能规范 Main property and specification

型号 Type	公称压力 PN/MPa Nominal pressure	试验压力/MPa Test pressure			适用温度 °C Applicable temperature	适用介质 Applicable medium
		壳体 Shell	液体密封 Liquid seal	气体密封 Gas seal		
Q641F-25	2.5	3.75	2.75	0.6	≤150	水、蒸汽、油品等 Water steam coal gas oil
Q641F-25P						弱腐蚀性材质 Weak corrosivity material
Q641F-25R						腐蚀性介质 Etcorrosive medium

主要零件材料 Main parts material

型号 Type	零件名称 Part name			
	阀体 Body	球体、阀杆 Ball stem	密封环 Seal ring	填料 Packing
Q641F-25	碳素钢铸件或锻件 Carbon steel casting	2GrL3		
Q641F-25P	铬镍钛不锈钢铸件或锻件 Cr Ni Ti stainless steel casting	铬镍钛不锈钢 Cr Ni Ti stainless steel	增强聚四氟乙烯 RPTFE	聚四氟乙烯 PTFE
Q641F-25R	铬镍钼钛不锈钢铸件或锻件 Cr Ni Mo Ti stainless steel casting	铬镍钼钛不锈钢 Cr Ni Mo Ti stainless steel		

主要尺寸及数量 Main dimensions

公称通径 DN/mm Nominal diameter	尺寸/mm Dimensions								
	L	D	D1	D2	b	Z-φd	H	气动装置型号 Pneumatic actuator type	电动装置型号 Electric actuator type
15	130	95	65	45	16	4-φ14	225	QGSY50	CH05
20	140	105	75	55	16	4-φ14	227	QGSY50	CH05
25	150	115	85	65	16	4-φ14	233	QGSY50	CH05
32	165	135	100	78	18	4-φ18	259	QGSY65	CH10
40	180	145	110	85	18	4-φ18	267	QGSY65	CH10
50	200	160	125	100	20	4-φ18	278	QGSY65	CH10
65	220	180	145	120	22	8-φ18	363	QGSY80	CH10
80	250	195	160	135	22	8-φ18	383	QGSY105	CH20
100	280	230	190	160	24	8-φ23	552	QGSY105	CH20
125	320	270	220	188	28	8-φ25	576	QGSY125	CH40
150	360	300	250	218	30	8-φ25	604	QGSY160	CH60